

GAME NO. 852 & 870
JANUARY, 1980

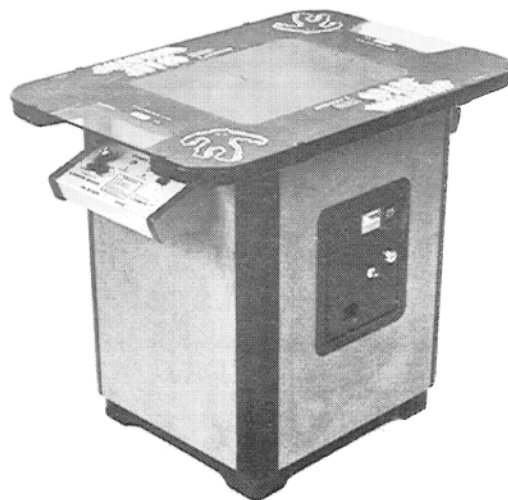
MIDWAY'S

SPACE INVADERS DELUXE

PARTS AND OPERATING MANUAL



NO. 852 UP-RIGHT



NO. 870 COCKTAIL



MIDWAY MFG. CO.

A BALLY COMPANY

10750 WEST GRAND AVENUE
FRANKLIN PARK, ILLINOIS 60131
U.S.A.

PHONE: (312) 451-1360 CABLE ADDRESS: MIDCO TELEX NO.: 72-1596

TABLE OF CONTENTS

	Page No.
GENERAL INSTRUCTIONS-UP-RIGHT	1
GENERAL INSTRUCTIONS-COCKTAIL	2
SWITCH ADJUSTMENTS	3
NO. 852-SPACE INVADERS DELUXE UP-RIGHT-FRONT VIEW PICTURE	4-5
NO. 852-SPACE INVADERS DELUXE UP-RIGHT-BACK VIEW PICTURE	6-7
FLUORESCENT FIXTURE ASSEMBLY	8-9
PUSH BUTTON ASSEMBLY	10-11
NO. 852 ADDITIONAL PARTS LIST	12
NO. 870-SPACE INVADERS DELUXE COCKTAIL-PICTURES	13-15
CONTROL SHELF ASSEMBLY	16-17
NO. 870 ADDITIONAL PARTS LIST	18
FRONT DOOR ASSEMBLY	20-21
TRANSFORMER BOARD ASSEMBLY	22-23
GAME BOARD COMPONENTS LAYOUT	24
GAME BOARD SCHEMATIC	25
MOTHER BOARD COMPONENTS LAYOUT	26
MOTHER BOARD SCHEMATIC	27
WIRING SCHEMATIC-UP-RIGHT	28
WIRING SCHEMATIC-COCKTAIL	29
POWER SUPPLY COMPONENTS LAYOUT	30
POWER SUPPLY SCHEMATIC	31
MONITOR SCHEMATIC (MOTOROLA)	32
MOTOROLA REPLACEMENT PARTS LIST	33-34
MONITOR SCHEMATIC (WELLS-GARDNER)	35
WELLS-GARDNER REPLACEMENT PARTS LIST	36-37
WELLS-GARDNER MONITOR SCHEMATIC-COCKTAIL	38

WARNING

**THIS GAME MUST BE GROUNDED. FAILURE TO DO
SO MAY RESULT IN DESTRUCTION TO ELECTRONIC
COMPONENTS.**

COPYRIGHT ©BY MIDWAY MFG. CO. ALL RIGHTS RESERVED.

NO PART OF THIS PUBLICATION MAY BE REPRODUCED BY ANY MECHANICAL, PHOTOGRAPHIC, OR ELECTRONIC PROCESS, OR IN THE FORM OF A PHONOGRAPHIC RECORDING, NOR MAY IT BE TRANSMITTED, OR OTHERWISE COPIED FOR PUBLIC OR PRIVATE USE, WITHOUT PERMISSION FROM THE PUBLISHER.

FOR PERMISSION REQUESTS, WRITE: MIDWAY MFG. CO., 10750 W. GRAND AVE., FRANKLIN PARK, IL 60131

GENERAL INSTRUCTIONS FOR "DELUXE SPACE INVADERS"

INSTALLATION

1. Remove shipping cleats located on bottom of cabinet.
2. Install 4 provided leg levelers to bottom of cabinet and level cabinet.
3. The power is controlled by a switch located on top of the cabinet. Plug into A.C. only, 115 volts, 60 cycles. In low line areas (105 volts or less), a boost in the output voltage of the transformer may be obtained by removing the wire from the 115 volt tap of the transformer and rewiring it to the 105 volt position.

VOLTAGE CONTROL POTS

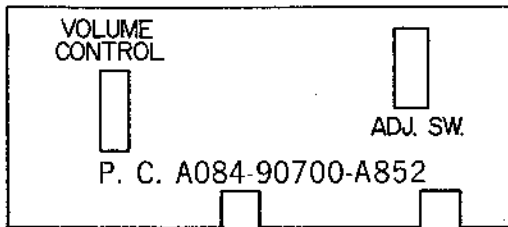
Located on power supply board (P.C. A082-90400-H000) and are preset at the factory. These pots should not be tampered with unless the Distributor Service Department is contacted.

MASTER VOLUME CONTROL

Located on game logic board (P.C. A084-90700-A852) controls the volume of all sounds and may be varied as desired by rotating pots.

ADJUSTMENT SWITCHES

Located on game logic board (A084-90700-A852) and may be adjusted as indicated on separate instruction sheet in back box area.



TO REMOVE CONTROL PANEL FOR SERVICE

1. Open coin box door.
2. Unplug control panel jack located to the left of coin box opening.
3. Unlatch (2) clamps located on each side of cabinet.
4. Remove control panel for service.

HIGH SCORE AND NAME DISPLAY PROGRAM

1. Place switch #2 located on Game Logic Board (P.C. A084-90700-A852) in "OFF" position.
2. Close coin switch to display one credit on screen.
3. Depress One Player Select Button. "Preset Mode" will be displayed on screen.
4. Depress One Player Select Button again to increase score until previous Hi Score is beaten.
5. Depress Fire Button to start game. When all laser bases have been destroyed, the alphabet will be displayed on the screen. A new name may now be programmed on the screen as indicated by instructions on Control Panel.
6. Place switch #2 located on Game Logic Board (P.C. A084-90700-A852) in "ON" position to reestablish game mode.

NOTE: To reset Hi-Score (to 5000) and Name Display, depress "ON-OFF" switch.

GENERAL INSTRUCTIONS FOR DELUXE "SPACE INVADERS" COCKTAIL TABLE

INSTALLATION

1. Remove shipping cleats located on bottom of cabinet.
2. Install four (4) provided leg levelers to bottom of cabinet and level cabinet
3. The power is controlled by a switch located on the bottom of the cabinet. Plug into A.C. only, 115 volts, 60 cycles. In low line areas (105 volts or less), a boost in the output voltage of the transformer may be obtained by removing the wire from the 115 volt tap of the transformer and rewiring it to the 105 volt position.

VOLTAGE CONTROL POTS

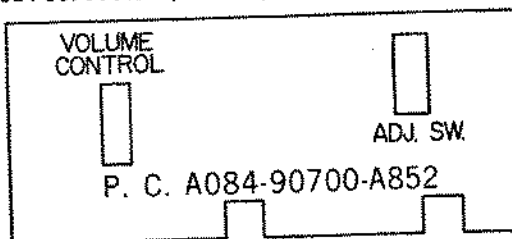
Located on Power Supply Board (P.C. A082-90400-H000) and are preset at the factory. These pots should not be tampered with unless the Distributor Service Department is contacted.

MASTER VOLUME CONTROL

Located on Game Logic Board (P.C. A084-90700-A852) controls the volume of all sounds and may be varied as desired by rotating pot.

ADJUSTMENT SWITCHES

Located on Game Logic Board (P.C. A084-90700-A852) and may be adjusted as indicated on separate instruction sheet in cabinet.



LINE VOLTAGE SAFETY SWITCH

A line voltage safety switch has been provided for your protection. It is located in the cabinet on the left side of the coin door. When the coin door is opened the circuit to the line voltage is interrupted. To restore power (when servicing), pull switch fully out.

TO SERVICE GAME LOGIC BOARD

The game logic board assembly is easily serviced by removing rear access door panel.

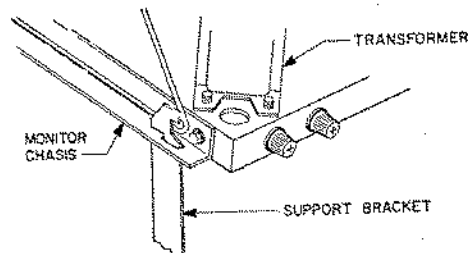
HIGH SCORE AND NAME DISPLAY PROGRAM

1. Place switch #2 located on Game Logic Board (P.C. A084-90700-A852) in "OFF" position.
2. Close coin switch to display one credit on screen.
3. Depress One Player Select Button. "Preset Mode" will be displayed on screen.
4. Depress One Player Select Button again to increase score until previous Hi Score is beaten.
5. Depress Fire Button to start game. When all lasar bases have been destroyed, the alphabet will be displayed on the screen. A new name may now be programmed on the screen as indicated by instructions on Control Panel.
6. Place switch #2 located on Game Logic Board (P.C. A084-90700-A852) in "ON" position to reestablish game mode.

NOTE: To reset Hi-Score (to 5,000) and Name Display, depress "ON-OFF" switch.

TO SERVICE MONITOR

1. Open coin box door.
2. Release two clamps located above coin door opening.
CAUTION: NEVER RELEASE CLAMPS UNLESS THE LINE VOLTAGE IS INTERRUPTED VIA SAFETY SWITCH.
3. Rotate top panel on its hinges to an upright position.
4. Place Monitor Support Bracket (located on left cabinet wall) in provided hole in monitor chassis.
5. To restore power to monitor, pull safety switch fully out.



ADJUSTMENT SWITCHES

	SW. 1
COIN INFORMATION DISPLAYED ON SCREEN	ON
COIN INFORMATION IS NOT DISPLAYED ON SCREEN	OFF

GAME - RECORD NAME

	SW. 2
GAME MODE	ON
RECORD NAME (SEE GENERAL INSTRUCTIONS)	OFF

LASER BASES

	SW. 4
3 LASER BASES PER GAME	ON
4 LASER BASES PER GAME	OFF

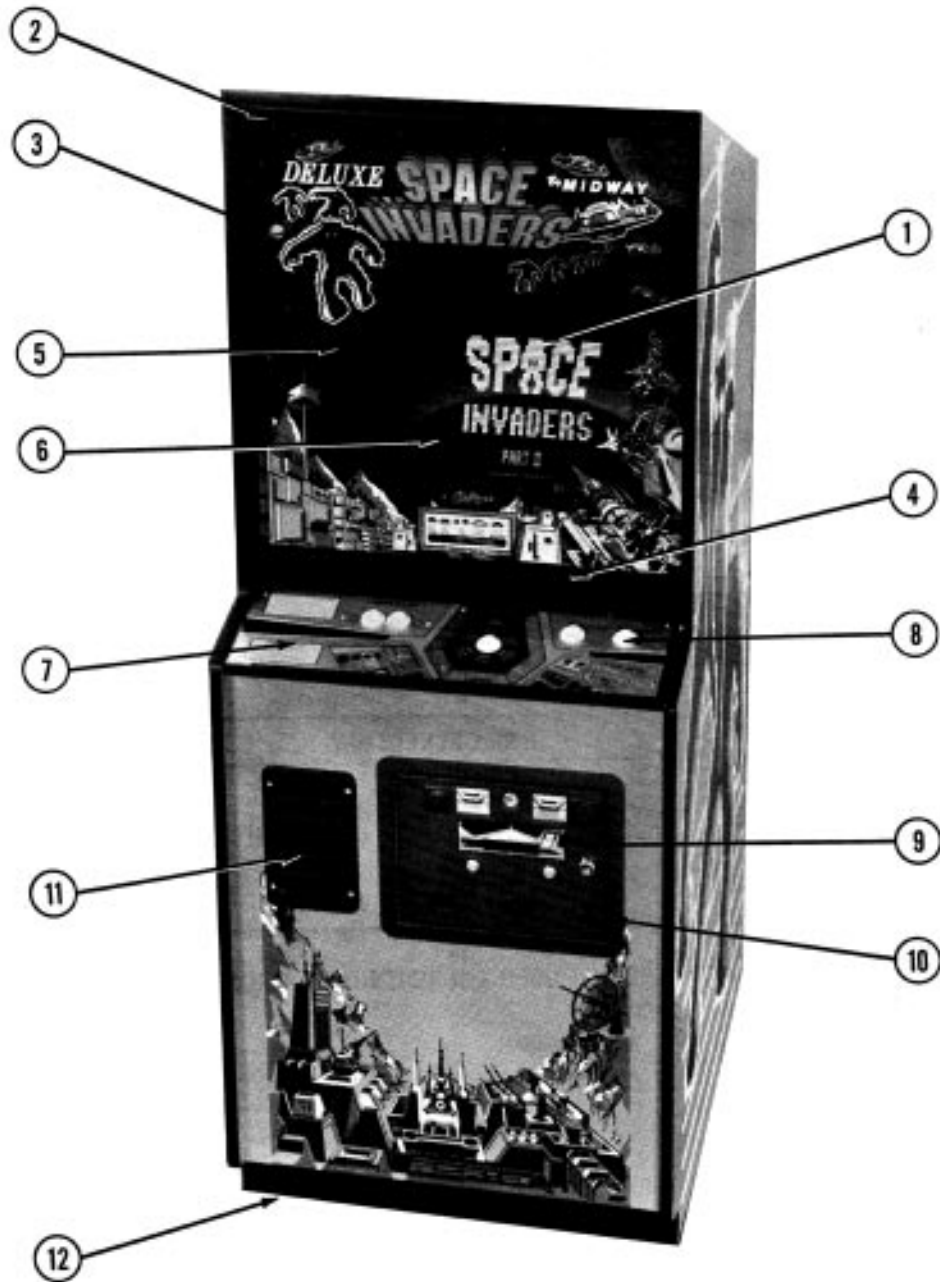
GAME SELECTION

	SW. 5	SW. 6	SW. 7
UPRIGHT MODEL	ON	ON	ON
COCKTAIL MODEL	OFF	OFF	OFF

NOTE: SWS. 3 AND 8 ARE NOT USED THERE IS NO RAM/ROM TEST

M051-00852-A005

NO. 852 – SPACE INVADERS DELUXE UPRIGHT – PICTURE



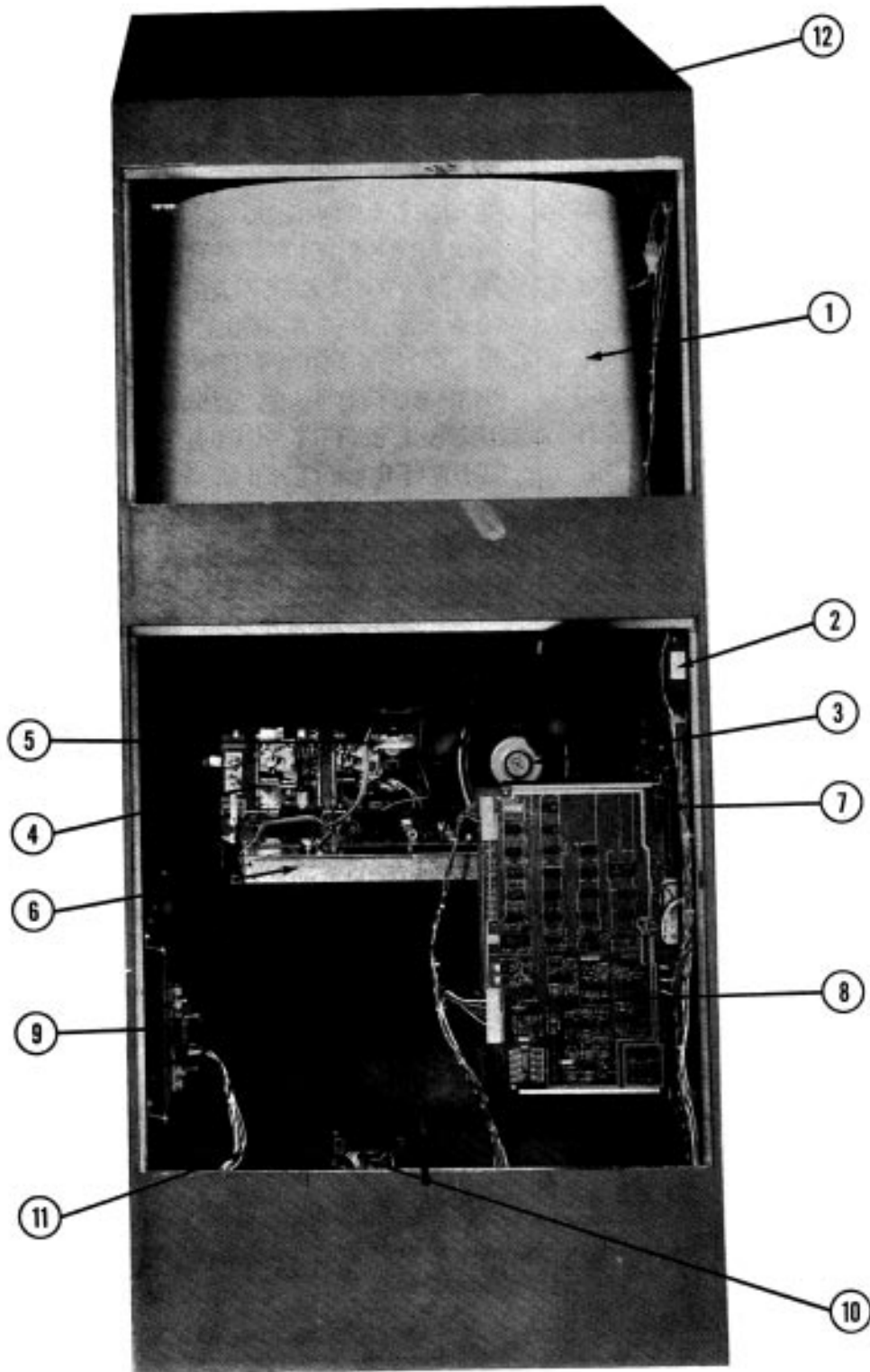
MIDWAY MFG. CO.
A BALLY COMPANY

NO. 852 - SPACE INVADERS DELUXE UPRIGHT - PICTURE

ORDER BY PART NUMBER ONLY

ITEM	PART NO	DESCRIPTION
1	0852-00901-01XF	SEE THRU DISPLAY - 25-5/16" x 24-7/8" x 3/16"
2	0537-00903-0015	GLASS CHANNEL 24-1/4" LG.
3	0537-00903-0011	GLASS CHANNEL 26-1/4" LG. (2 REQ'D.)
4	0629-00902-0100	GLASS LIFT CHANNEL - 24" LG.
5	0852-00903-00XF	BACKGROUND SCENERY CARD
6	0852-00902-00XF	PLANET ARTWORK
7	0852-00907-00XF	CONTROL SHELF OVERLAY
	0017-00101-0639	#8 - 32 x 1-1/4 CARRIAGE BOLTS (6 REQ'D.)
	0017-00104-0022	#8 WASHER (6 REQ'D.)
	0017-00103-0061	#8 - 32 HEX LOCKNUT SEMS. (6 REQ'D.)
8	A739-00012-0000	PUSH BUTTON ASSY. (5 REQ'D.)
9	A090-00002-2001	DOUBLE ENTRY COIN DOOR ASSY.
	0017-00003-0102	COUNTER METER 6 V., 4 W.
10	0090-00002-02GR	DOUBLE ENTRY COIN DOOR FRAME ASSY.
	0017-00101-0555	#6 - 32 x 5/16 HEX HD. S.M.S. (3 REQ'D.)
11	0017-00009-0393	BLK. SPEAKER GRILL W/4 1-1/2" SCR.
	0017-00003-0187	6" x 9" SPEAKER 8 OHM, 9W.
12	0017-00102-0048	LEG LEVELERS (4 REQ'D.)
	0017-00103-0026	LEG LEVELER NUTS (4 REQ'D.)
		<u>NOT SHOWN LIST</u>
	0017-00009-0033	BASSICK CLAMP (2 REQ'D.)
	0603-00131-0000	STRIKE (2 REQ'D.)
	0739-00902-0000	MIRROpane MIRROR 24-13/16 x 23-3/4 x 1/4
	0739-00102-0000	GLASS LOCK BRKTS. (2 REQ'D.)
	0739-00905-0000	CARDBOARD BEZEL
	0739-00906-0000	SCREEN OVERLAY 13" x 4-1/2"
	A739-00007-0000	DISPLAY INSERT ASSY.
	0017-00031-0002	LAMP SOCKETS (5 REQ'D.)
	0017-00003-0052	LAMPS (5 REQ'D.)
	0017-00041-0037	SPONGE RUBBER TAPE - 24" LG.

NO. 852 – SPACE INVADERS DELUXE – BACK VIEW PICTURE

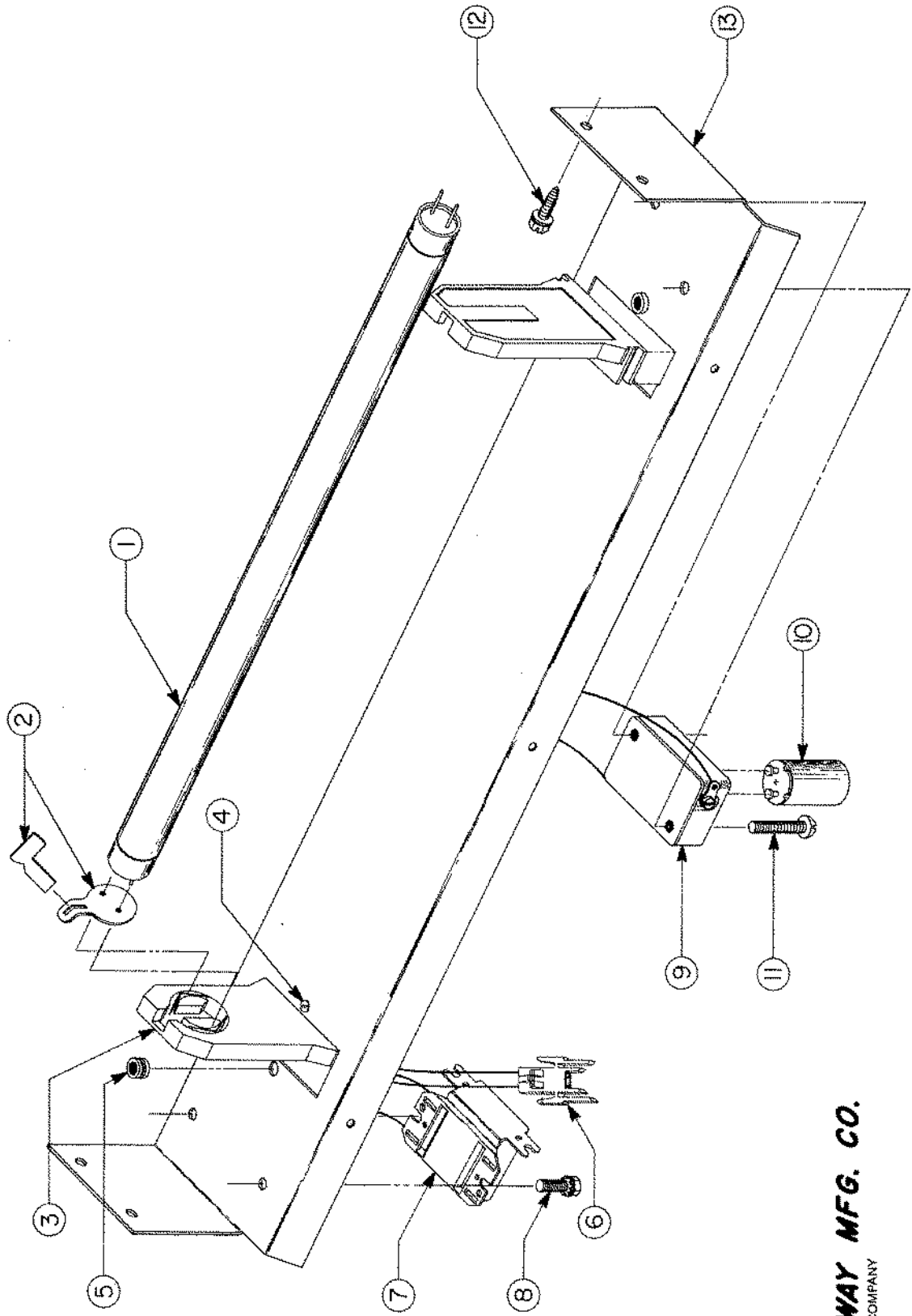


NO. 852 - SPACE INVADERS DELUXE - BACK VIEW PICTURE

ORDER BY PART NUMBER ONLY

ITEM	PART NO	DESCRIPTION
1	0852-00903-00XF	BACKGROUND SCENERY CARD
2	0017-00003-0225	CHEAT INTERLOCK SWITCH 125 V., 10 A.
	0625-00133-00XF	INTERLOCK SW. MTG. BRKT.
3	0017-00003-0187	6" x 9" SPEAKER 8 OHM, 9 W.
4	A090-00002-2001	DOUBLE ENTRY COIN DOOR ASSY.
5	0017-00003-0164	19" CATHODE RAY TUBE (C.R.T.)
6	0017-00003-0212	19" MONITOR CHASSIS W/YOKE
	0592-00104-0100	CHASSIS MTG. BRKT. - R.H.
	0592-00104-0200	CHASSIS MTG. BRKT. - L.H.
	0161-00100-0000	T.V. MTG. WASHER (4 REQ'D.)
	0017-00101-0639	#8 - 32 x 1-1/4 CARRIAGE BOLT (4 TUBE, 4 CHASSIS)
	0017-00104-0022	#8 WASHER (4 TUBE, 4 CHASSIS)
	0017-00103-0061	#8 - 32 HEX LOCKNUT SEMS. (4 TUBE, 4 CHASSIS)
	A739-00010-0000	DAG SPRING ASSY.
	3000-17155-0000	GROUND STRAPS
	0080-00101-0000	HIGH VOLTAGE SHIELD
7	A084-90000-L852	MOTHER BOARD ASSY.
8	A084-90700-A852	GAME BOARD ASSY.
	0597-00012-0100	P.C. SUPPORT BRKT. ASSY. - R.H.
	0597-00012-0200	P.C. SUPPORT BRKT. ASSY. - L.H.
9	A082-90400-H000	POWER SUPPLY BOARD ASSY.
	0624-00902-0100	P.C. SUPPORT BRKT. - 12" (4 REQ'D.)
	0624-00902-0300	P.C. SUPPORT BRKT. - 2-1/2" (4 REQ'D.)
10	A852-00010-0000	TRANSFORMER BOARD ASSY.
11	A852-00018-0000	MASTER CABLE ASSY'
12	0586-00036-0000	ON-OFF SWITCH
	0567-00106-0100	SWITCH MTG. BRKT.

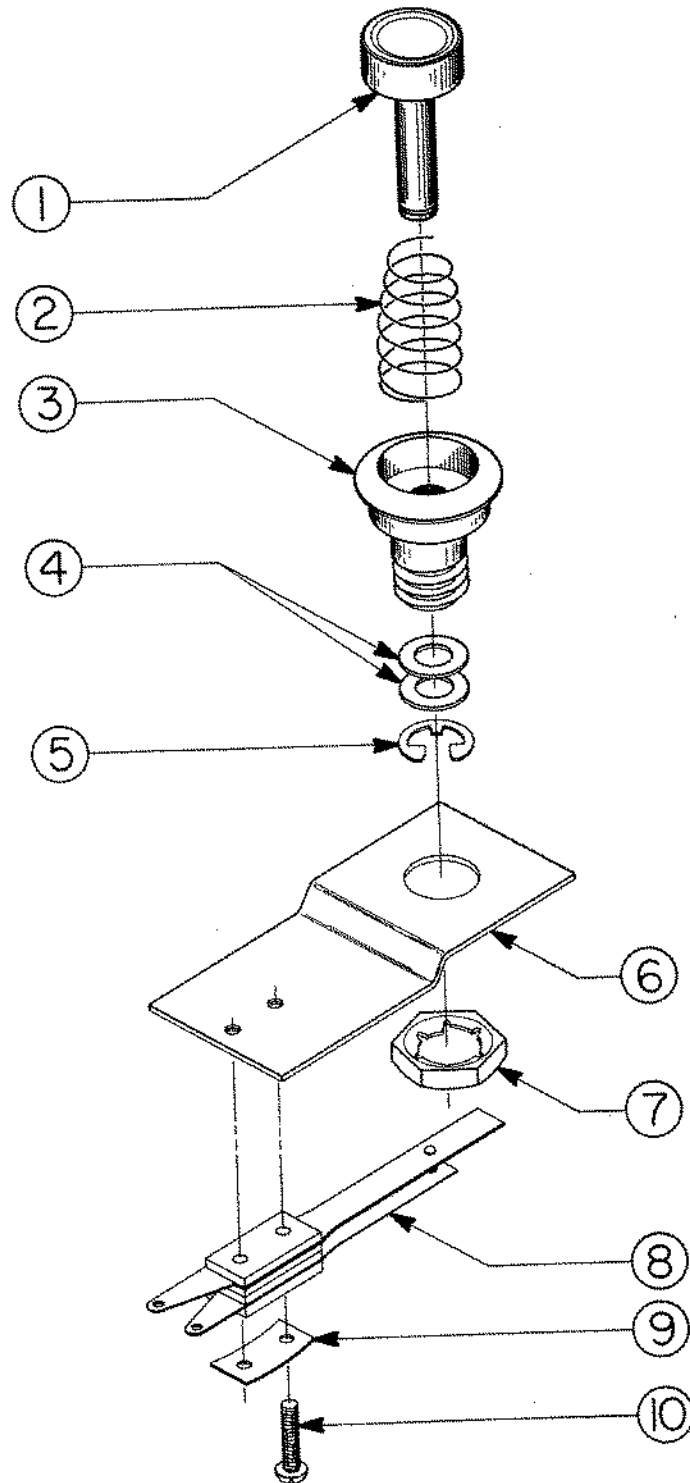
NO. 852 - SPACE INVADER DELUXE - FLUORESCENT FIXTURE ASSEMBLY



ORDER BY PART NUMBER ONLY

ITEM	PART NO	DESCRIPTION
1	0017-00003-0046	18" FLUORESCENT LAMP (BLACK LIGHT)
2	0017-00021-0005	FLUORESCENT LOCKS (2 REQ'D.)
3	0017-00031-0036	LAMP HOLDERS (2 REQ'D.)
4	0017-00101-0573	#6 - 32 x 1/2 SLT. RND. HD. M.S. (2 REQ'D.)
5	0017-00041-0013	GROMMETS (2 REQ'D')
6	0017-00021-0096	2 TERMINAL JACK - FEMALE
7	0017-00003-0026	BALLAST
8	0017-00101-0593	#8 - 32 x 1/4 PAN HD. EXT. SEMS. M.S. (2 REQ'D.)
9	0017-00021-0079	STARTER HOLDER
10	0017-00003-0019	STARTER
11	0017-00101-0528	#5 - 40 x 3/4 R.H.M.S. (2 REQ'D.)
12	0017-00101-0025	#8 x 1/2 HEX HD. WD. SCR. (4 REQ'D.)
13	0739-00100-0000	FLUORESCENT BRKT.
		<u>NOT SHOWN LIST</u>
	0852-00902-00XF	PLANET ARTWORK
	0017-00101-0598	#8 - 32 x 5/16 HEX HD. S.T.M.S. (3 REQ'D.) (MOUNTS PLANET ARTWORK TO FLUOR. BRKT.)

NO. 852 - SPACE INVADERS DELUXE - PUSH BUTTON ASSY.



NO. 852 - SPACE INVADERS DELUXE - PUSH BUTTON ASSY.

ORDER BY PART NUMBER ONLY

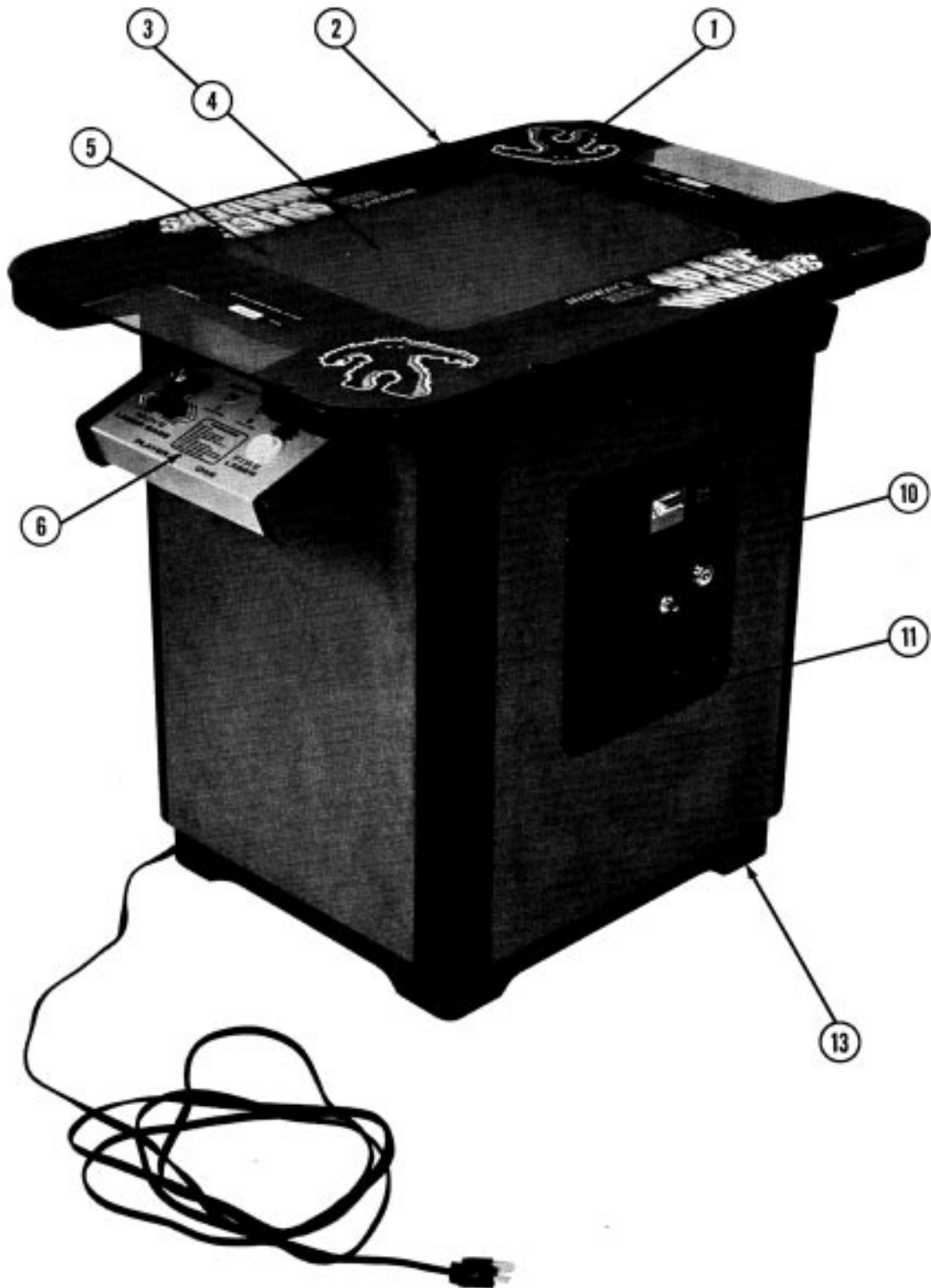
ITEM	PART NO	DESCRIPTION
1	0017-00009-0384	BUTTON
2	0010-00593-0000	SPRING
3	0017-00009-0376	BUTTON HOUSING
4	0017-00104-0028	FLAT WASHER (2 REQ'D.)
5	0017-00100-0025	E-RING
	A739-00012-0000	PUSH BUTTON ASSY. (FIRST 5 ITEMS)
6	0586-00107-0000	MOUNTING BRKT.
7	0017-00103-0054	PAL NUT
8	A739-00016-0000	SWITCH ASSY.
9	0020-00202-0000	SWITCH PLATE
10	0017-00101-0526	#5 - 40 x 9/16 PHIL. HD. M.S. (2 REQ'D.)
		NOTE: 5 PUSH BUTTONS PER GAME

NO. 852 - SPACE INVADERS DELUXE UPRIGHT - ADDITIONAL PARTS LIST

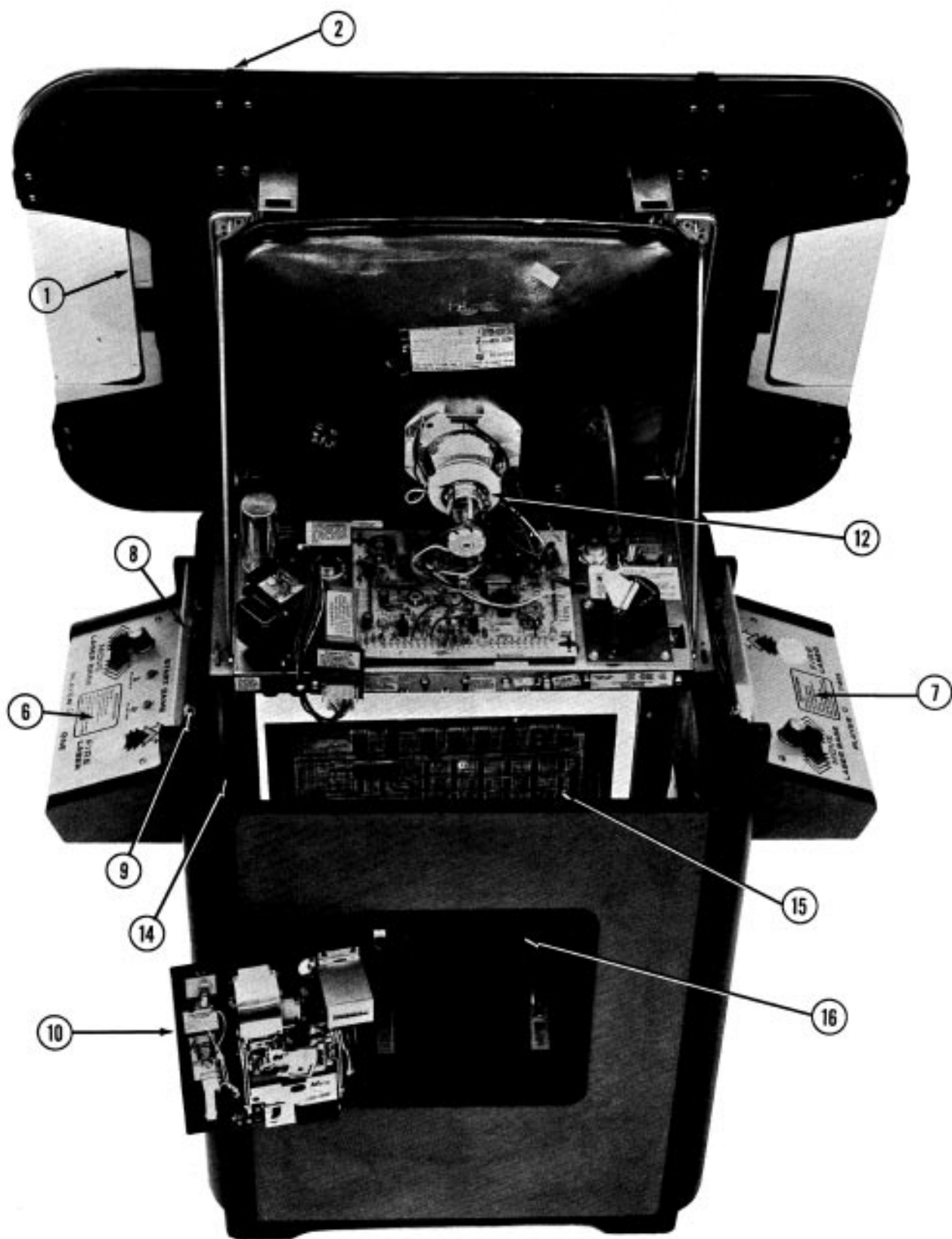
ORDER BY PART NUMBER ONLY

ITEM	PART NO	DESCRIPTION
	A852-00003-0000	LOWER BACK DOOR ASSY.
	A852-00004-0000	UPPER BACK DOOR ASSY.
	A097-00001-0000	LOCK ASSY. (1 UPPER, 1 LOWER)
	0618-00117-0000	VENT SCREEN (2 UPPER, 2 LOWER)
	A623-00013-0000	CASH BOX COVER ASSY.
	A623-00110-0000	CASH BOX ASSY.
	A624-00001-0000	CASH BOX GUIDE BRKT. ASSY.
	0624-00101-0000	CASH BOX SIDE CHANNEL
	0017-00101-0628	#8 - 32 x 3/4 CARRIAGE BOLTS (4 REQ'D.)
	0017-00104-0022	#8 STEEL WASHER (4 REQ'D.)
	0017-00103-0061	#8 - 32 LOCKNUT SEMS. (4 REQ'D.)
	0017-00009-0009	TURN BUTTONS (2 REQ'D.)
	M052-00190-0001	TRANSPARENT TAPE (ORANGE) - 13" x 1"

NO. 870 – SPACE INVADERS DELUXE COCKTAIL – PICTURE



NO. 870 - SPACE INVADERS DELUXE COCKTAIL - PICTURE



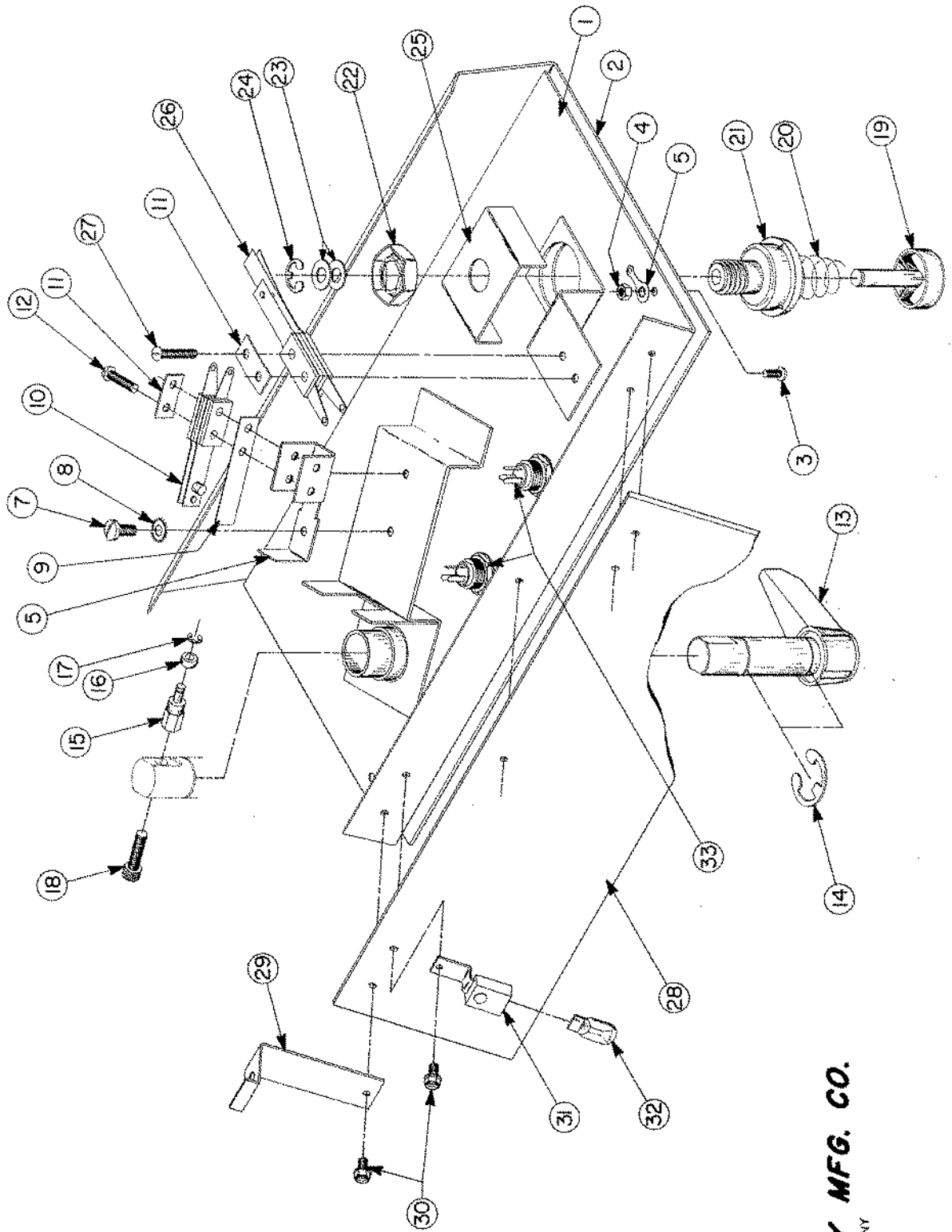
MIDWAY MFG. CO.
A BALLY COMPANY

NO. 870 - SPACE INVADERS DELUXE COCKTAIL - PICTURES

ORDER BY PART NUMBER ONLY

ITEM	PART NO	DESCRIPTION
1	0870-00900-00XF	GLASS TOP
2	0775-00104-00XF	GLASS CLIPS (8 REQ'D.)
	0017-00101-0742	#8 x 1/2 PHL. TRUSS HD. S.M.S. (16 REQ'D.)
3	0851-00905-0000	PLEXI SCREEN OVERLAY
4	0870-00901-0000	RED - YELLOW - GREEN SCREEN OVERLAY
5	0870-00902-0000	T.V. BEZEL (CARDBOARD)
6	0775-00106-00XF	MAIN ESCUTCHEON
7	0775-00107-00XF	ESCUTCHEON - R.H.
	A775-00003-0000	SHELF PLATE ASSY. (2 REQ'D.)
8	0775-00901-0000	LIGHT SHIELD (2 REQ'D.)
	0775-00112-00XF	BKRT. DECAL (2 REQ'D.)
	0775-00100-00XF	SHELF BRKT. (4 REQ'D.)
	0017-00101-0017	#6 x 1/2 HEX HD. WD./W BLK. S.M.S. (4 REQ'D.)
9	0017-00003-0219	LAMP 14V. (4 REQ'D.)
	0017-00031-0044	LIGHT SOCKET (4 REQ'D.)
	0017-00101-0014	#6 x 1/2 HEX HD. WD./W S.M.S. (8 REQ'D.)
10	A090-00058-0000	FRONT DOOR ASSY. W/COIN METER
11	0090-00002-01BK	FRONT DOOR FRAME
12	0017-00003-0242	MONITOR & CHASSIS ASSY.
	0851-00100-00XF	TUBE BRKT. (4 REQ'D.)
	0017-00101-0082	#10 x 3/4 HEX HD. S.M.S. (8 REQ'D.)
13	0017-00102-0048	LEG LEVELERS (4 REQ'D.)
	0017-00103-0026	LEG LEVELER NUTS (4 REQ'D.)
14	0749-00105-00XF	PROP (ORANGE SUPPORT BRKT.)
15	A084-90000-L852	MOTHER BOARD ASSY.
16	A084-90700-A852	GAME BOARD ASSY.
		NOT SHOWN LIST
	0017-00003-0187	SPEAKER ASSY.
	0549-00128-00XF	SPEAKER (1 REQ'D.)
	0017-00041-0576	SPEAKER GRILL (1 REQ'D.)
	0547-00035-00XF	SPEAKER GASKET (1 REQ'D.)
	0017-00101-0642	SPEAKER BEZEL (1 REQ'D.)
	0017-00103-0061	#8 - 32 x 1-1/2 CARRIAGE BOLTS (4 REQ'D.)
	0017-00009-0393	#8 - 32 HEX NUT SEMS. (8 REQ'D.)
	0017-00101-0639	VENT GRILL (1 REQ'D.)
		#8 x 32 x 1-1/4 CARRIAGE BOLTS (4 REQ'D.)
		FAN ASSY.
	0017-00003-0222	FAN
	0775-00110-00XF	FAN PLATE
	0870-00100-00XF	VENT SCREEN
	0017-00101-0347	#6 - 32 x 1/2 PHIL. R.H.M.S. SEMS. (4 REQ'D.)
	0017-00104-0009	#6 EXT. WASHER (4 REQ'D.)
	0017-00103-0005	#6 - 32 HEX NUT (4 REQ'D.)
	0017-00101-0026	#8 x 5/8 SLOT. HEX HD. S.M.S. (4 REQ'D.)
	0017-00009-0033	BASSICK CLAMP (2 REQ'D.)
	0017-00101-0025	#8 x 1/2 HEX HD. S.M.S. (4 REQ'D.)
	0610-00132-0000	STRIKE (2 REQ'D.)
	0017-00101-0028	#8 x 3/4 HEX HD. S.M.S. (4 REQ'D.)
	0017-00009-0439	HINGE (TOP ASSY.) (2 REQ'D.)
	0017-00101-0082	#10 x 3/4 HEX HD. S.M.S. (4 REQ'D.)
	0017-00101-0014	#6 x 7/8 OVAL HD. WD. SCR. (2 REQ'D.)
	A749-00005-0000	INTERLOCK SWITCH ASSY.
	0017-00101-0026	#8 x 5/8 HEX HD. S.M.S. (3 REQ'D.)
	A627-00066-0000	ON-OFF SWITCH ASSY.
	0017-00101-0017	#6 x 1/2 HEX HD. S.M.S. (6 REQ'D.)

NO. 870 - SPACE INVADER DELUXE COCKTAIL - CONTROL SHELF ASSY.



MIDWAY MFG. CO.
A BALLY COMPANY

NO. 870 – SPACE INVADER DELUXE COCKTAIL – CONTROL SHELF ASSY.

ORDER BY PART NUMBER ONLY

ITEM	PART NO	DESCRIPTION
1	A775-00003-0000	SHELF PLATE ASSY.
2	0775-00106-00XF	ESCUTCHEON – MAIN
2	0775-00107-00XF	ESCUTCHEON – R.H. PLAYER 2
3	0017-00101-0077	#6 - 32 x 5/16 PHIL. PAN HD. M.S. (2 REQ'D.)
4	0017-00103-0005	#6 - 32 HEX NUT (2 REQ'D.)
5	0017-00021-0002	#6 SOLDER LUG
6	0775-00101-00XF	SWITCH MTG. BRKT.
7	0017-00101-0517	#5 - 40 x 1/4 SLOT PAN HD. M.S. (2 REQ'D.)
8	0017-00104-0009	#6 EXT. LOCK WASHER (2 REQ'D.)
9	0020-00240-0010	TENSION LEAF, 010 (2 REQ'D.)
10	A775-00005-0000	SWITCH ASSY. (2 REQ'D.)
11	0020-00202-0000	SWITCH PLATE (3 REQ'D.)
12	0017-00101-0525	#5 - 40 x 9/16 SLOT RD. HD. M.S. (4 REQ'D.)
13	A869-00006-0000	KNOB & SHAFT ASSY.
14	0017-00100-0050	1/2 E-RING (2 REQ'D.)
15	0775-00701-00XF	POST
16	0775-00902-0000	ROLLER
17	0017-00100-0015	5/32 E-RING
18	0017-00101-0720	#10 - 32 x 3/4 SOCKET HD. CAP SCREW
19	0017-00009-0384	BUTTON
20	0010-00593-0000	SPRING
21	0017-00009-0376	HOUSING
22	0017-00103-0054	PAL NUT 5/8 – 11
23	0017-00104-0028	FLAT WASHER (2 REQ'D.)
24	0017-00100-0025	1/4 E-RING
	A739-00012-0000	PUSH BUTTON ASSY. (ITEMS 19-24)
25	0775-00105-00XF	SPACER
26	0586-00036-0000	PUSH BUTTON SWITCH ASSY.
27	0017-00101-0522	#5 - 40 x 7/16 SLOT RD. HD. M.S. (2 REQ'D.)
28	0775-00901-0000	LIGHT SHIELD
29	0775-00100-00XF	SHELF MTG. BRKT. (2 REQ'D.)
30	0017-00101-0014	#6 x 1/2 SLOT HEX HD. M.S. (5 REQ'D.)
31	0017-00031-0044	LAMP SOCKET (2 REQ'D.)
32	0017-00003-0219	LAMP #194 14V. 27A WEDGE (2 REQ'D.)
33	0017-00032-0051	BUTTON SWITCH (MAIN CONTROL ONLY) (2 REQ'D.)

NO. 870 – SPACE INVADER DELUXE COCKTAIL – ADDITIONAL PARTS LIST

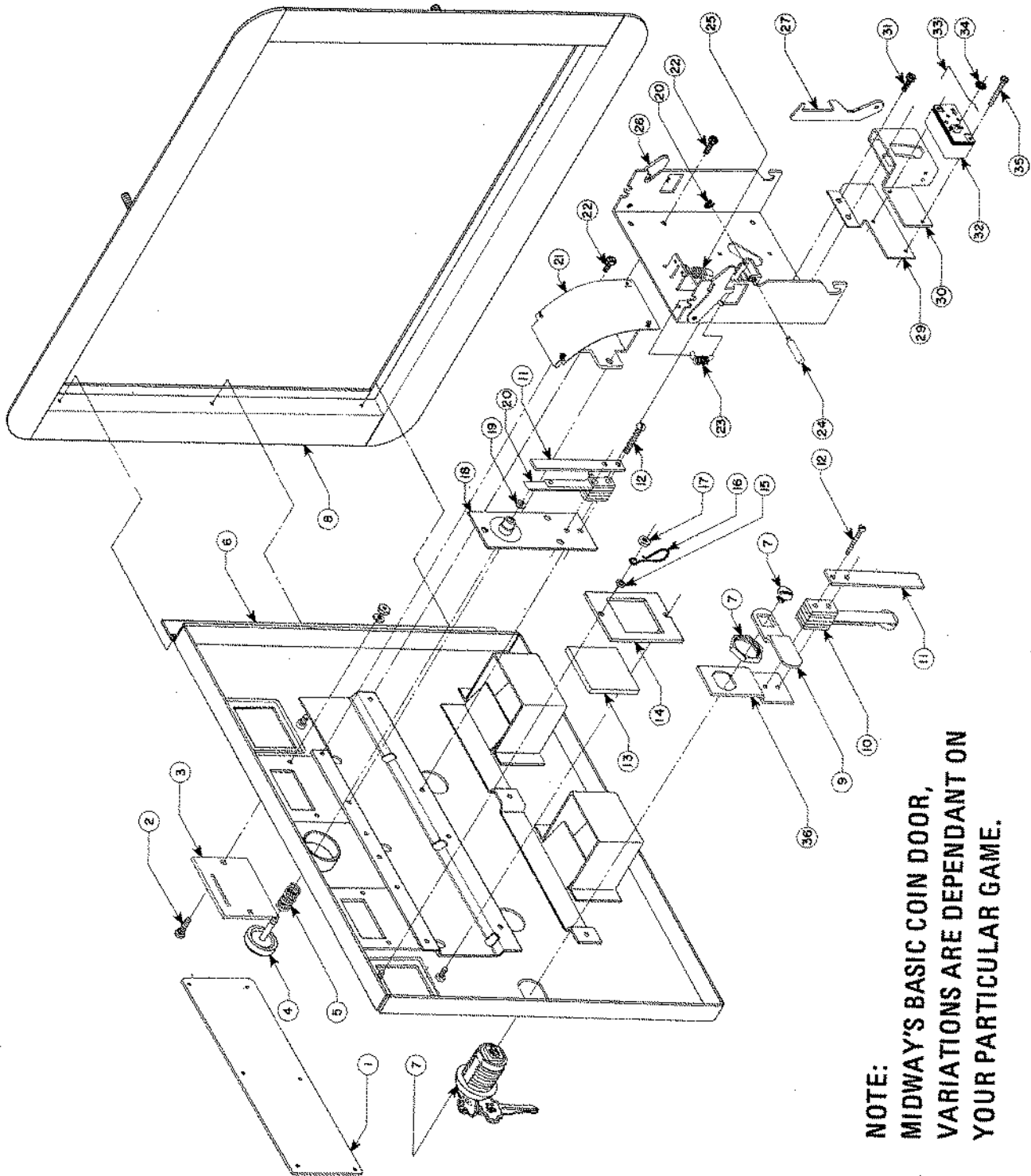
ORDER BY PART NUMBER ONLY

ITEM	PART NO	DESCRIPTION
	A097-00001-0000	LOCK ASSY.
	A749-00003-0000	CASH BOX ASSY.
	A627-00052-0000	CASH BOX COVER ASSY.
	0625-00117-0000	CASH BOX GUIDE
	A625-00024-0000	CASH BOX GUIDE BRKT. ASSY.
	0017-00101-0628	#8 - 32 x 3/4 CARRIAGE BOLTS (4 REQ'D.)
	0017-00103-0008	#8 - 32 HEX NUT (4 REQ'D.)
	A084-90700-A852	GAME BOARD P.C. ASSY.
	A084-90000-L852	MOTHER BOARD P.C. ASSY.
	A082-90400-H000	POWER SUPPLY ASSY.
	A749-00004-0000	TRANSFORMER BOARD ASSY.
	0624-00902-0100	P.C. SUPPORT BRKT. – 12" (4 REQ'D.)
	0624-00902-0500	P.C. SUPPORT BRKT. – 6-1/2" (2 REQ'D.)
	0624-00902-0400	P.C. SUPPORT BRKT. – 4" (6 REQ'D.)
	0624-00902-0300	P.C. SUPPORT BRKT. – 2-1/2"
	0597-00012-0100	P.C. SUPPORT BRKT. – R.H.
	0597-00012-0200	P.C. SUPPORT BRKT. – L.H.
	0017-00101-0028	#8 x 3/4 HEX HD. S.M.S. (22 REQ'D.)
	0017-00104-0037	3/4 x 3/16 x 1/16 STL. WASHER (22 REQ'D.)
	0017-00009-0419	PIN EXTRACTOR TOOL (PIN POPPER) (MOLAX JACKS ONLY)

NOTES

This space is provided for personal notes

NO. 852 & 870 – SPACE INVADERS DELUXE – FRONT DOOR ASSY.



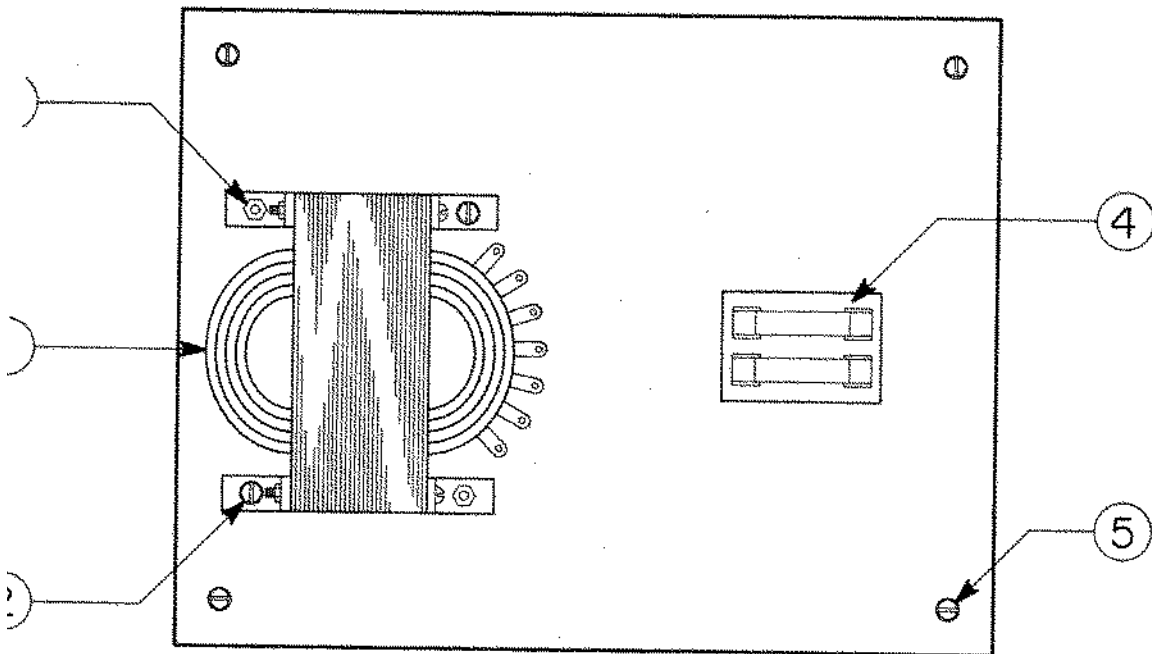
**NOTE:
MIDWAY'S BASIC COIN DOOR,
VARIATIONS ARE DEPENDANT ON
YOUR PARTICULAR GAME.**

NO. 852 & 870 - SPACE INVADERS DELUXE - FRONT DOOR ASSY.

ORDER BY PART NUMBER ONLY

ITEM	PART NO	DESCRIPTION
1	0090-00902-0000 0090-00902-0100	DRESS PLATE DRESS PLATE (W/O PRESS BUTTON TO START GAME)
2	0017-00101-0552	#6 - 32 x 1/4 CARRIAGE BOLT (2)
3	0090-00117-03XF	COIN ENTRY PLATE (25¢)
4	0090-00906-0000	PLASTIC START BUTTON
5	0010-00007-0000	COMPRESSION SPRING
6	0090-00013-0200	DOOR ASSY. DOUBLE ENTRY
7	0017-00005-0050	DOOR LOCK & KEY WITH SCREW & NUT
8	0090-00002-02BR	DOUBLE DOOR FRAME
9	0017-00005-0041	421 N.S. CAM
10	0090-00901-0000	DOOR SWITCH
11	0090-00126-01XF	SWITCH BACKUP PLATE
12	0017-00101-0528	#5 - 40 x 3/4" LNG. M.S.
13	0090-00903-0040	25¢ WINDOW
14	0090-00143-0000	COIN PLEX RETAINER
15	0017-00104-0002	SPLIT LOCK WASHER
16	0017-00007-0019	KEY HOOK
17	0017-00103-0005	#6 - 32 HEX NUT
18	0090-00010-0000	SW. PLATE & OILLITE ASSY.
19	0017-00100-0018	"E" RING
20	0090-00131-0000	SWITCH
21	0090-00104-0000	TOP & BTM. COIN CHUTE W/BRKT. ASSY.
22	0017-00101-0598	#8 - 32 x 5/16 SCREW
23	0010-00181-0100	SPRING
24	0090-00129-00XF	PIVOT POST
25	0010-00134-0000	SPRING
26	0090-00008-0000	ACCEPTOR FRAME ASSY.
27	0093-00155-00XF	REJECTOR LEVER
28	0017-00100-0012	"E" RING
29	0093-00151-00XF	COIN GUIDE MTG. BRACKET
30	0090-00005-0000	COIN GUIDE ASSY.
31	0017-00101-0555	#6 - 32 x 5/16 SCREW
32	0017-00005-0039	COIN SWITCH
33	0010-00557-2500	TRIP WIRE
34	0017-00007-0132	PUSH-ON RING (BIK)
35	0017-00101-0507	#4 - 36 x 3/4 SCREW
36	0090-00128-00XF A090-00061-0000	SWITCH BRKT. - DOOR TILT OPTIONAL - ANTI-SPRING DEVICE ASSY. (REPLACES ITEM NO. 30)

NO. 852 & 870 – SPACE INVADERS DELUXE – TRANSFORMER BOARD ASSY.



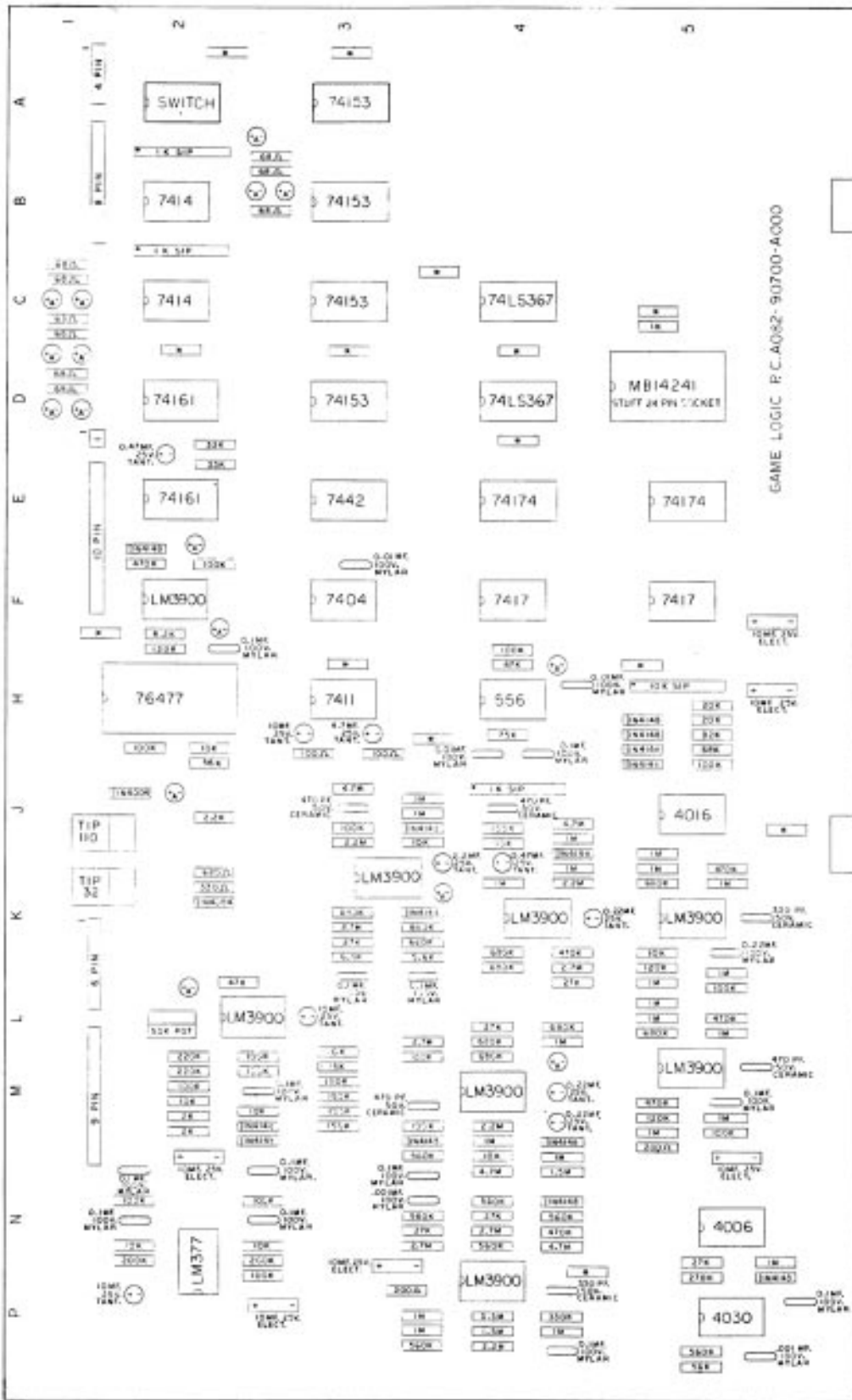
MIDWAY MFG. CO.
A BALLY COMPANY

NO. 852 & 870 – SPACE INVADERS DELUXE – TRANSFORMER BOARD ASSY.

ORDER BY PART NUMBER ONLY

ITEM	PART NO	DESCRIPTION
1	MT00-00058-0000	TRANSFORMER – 60 CYCLE – DOMESTIC (OR)
	MT00-00059-0000	TRANSFORMER – 50 CYCLE – FOREIGN
2	0017-00101-0017	#6 x 1/2 SLT. HEX HD. WD. SCR. (2 REQ'D.)
3	0017-00101-0637	#8 - 32 x 1" CARRIAGE BOLT (2 REQ'D.) WITH
	0017-00103-0008	#8 - 32 HEX NUT (2 REQ'D.)
4	0720-00001-0200	2 POSITION FUSE BLOCK
	0017-00003-0103	FUSE 1 AMP
	0017-00003-0006	FUSE 3 AMP
5	0017-00101-0018	#6 x 3/4 SLT. HEX HD. SCREW (5 REQ'D.)
	0017-00003-0064	16 FT. LINE CORD – NOT SHOWN

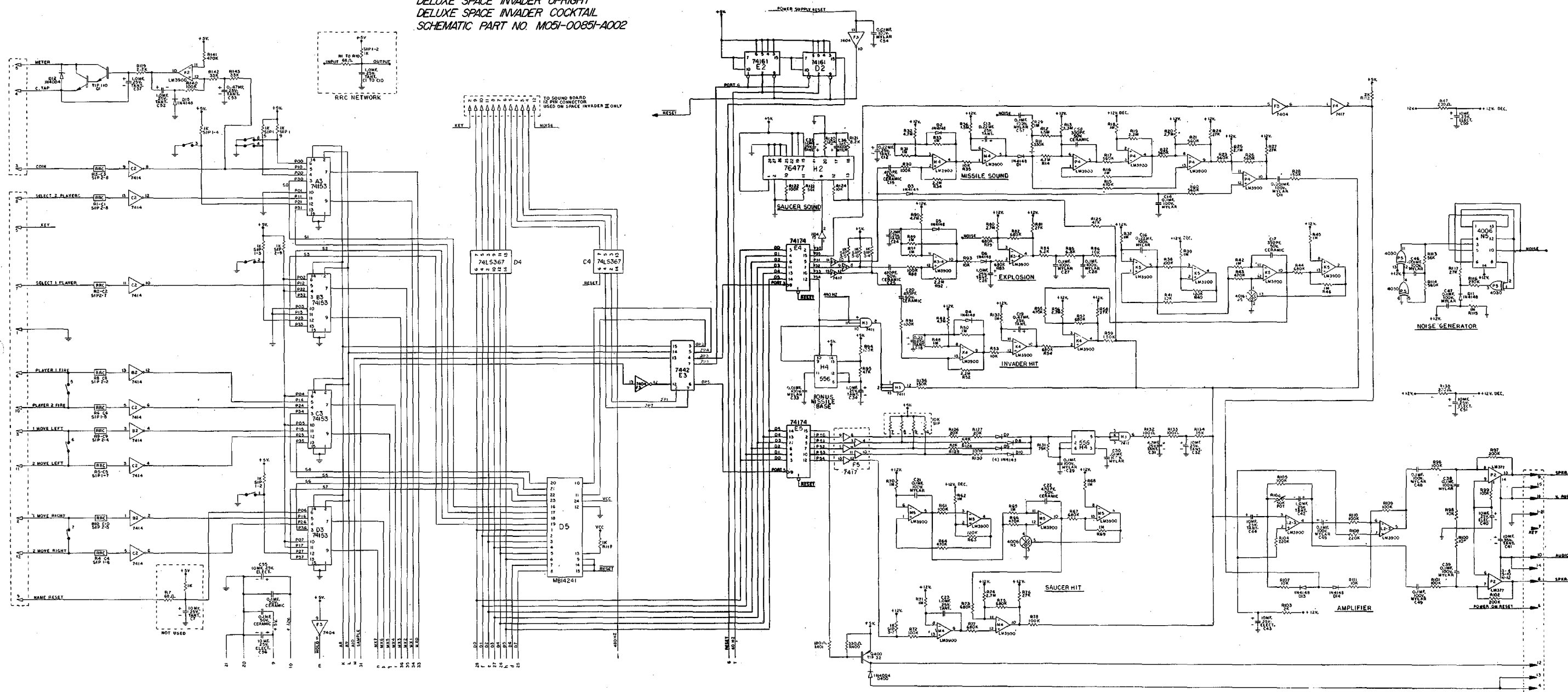
COMPONENT LAYOUT PART NO. M05H-00151-A003



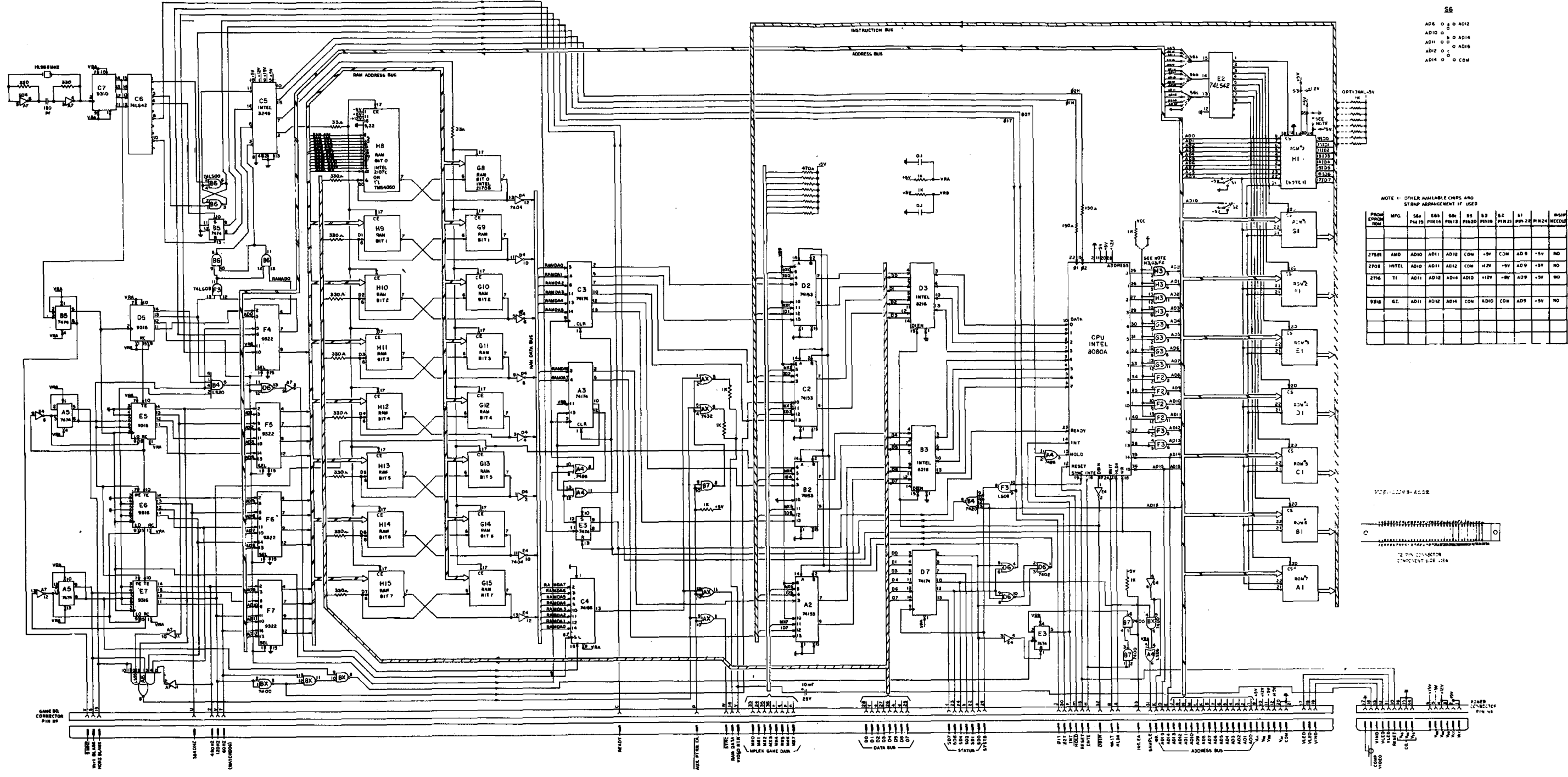
* INDICATES 0.1MP 50V AXIAL LEAD CERAMIC CAP
 A 0.1MP 25V TANT. CAP
 B COCKTAIL
 C SPACE INVADER
 D SPACE INVADER
 E DELUXE SPACE INVADER
 F COCKTAIL
 G SPACE INVADER
 H SPACE INVADER
 I COCKTAIL
 J SPACE INVADER
 K SPACE INVADER
 L SPACE INVADER
 M SPACE INVADER
 N SPACE INVADER
 O SPACE INVADER

MIDWAY MFG. CO.
10750 W. GRAND AVE.
FRANKLIN PARK, IL. 60131

GAME LOGIC P.C. A082-90700-A000
USED ON: SPACE INVADER II COCKTAIL
DELUXE SPACE INVADER UPRIGHT
DELUXE SPACE INVADER COCKTAIL
SCHEMATIC PART NO. M051-00851-A002

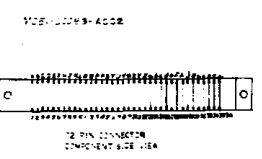


AD6 0 0 AD12
AD10 0 0 AD14
AD11 0 0 AD16
AD12 0 0
AD14 0 0 COM



NOTE 1: OTHER AVAILABLE CHIPS AND STRAP ASSIGNMENT IF USED

FROM EPROM ROM	MPS	562 PIN15	562 PIN14	562 PIN13	562 PIN12	562 PIN11	562 PIN10	562 PIN9	562 PIN8	562 PIN7	562 PIN6	562 PIN5	562 PIN4	562 PIN3	562 PIN2	562 PIN1
27581	AMD	AD10	AD11	AD12	COM	+5V	COM	AD9	+5V	NO						
2708	INTEL	AD10	AD11	AD12	COM	+5V	COM	AD9	+5V	NO						
2716	TI	AD11	AD12	AD14	AD10	+12V	+5V	AD9	+5V	NO						
9314	EL	AD11	AD12	AD14	COM	AD10	COM	AD9	+5V	NO						



MOTHER BOARD SCHEMATIC
A084-90000-L000

